

# Dimension Guide

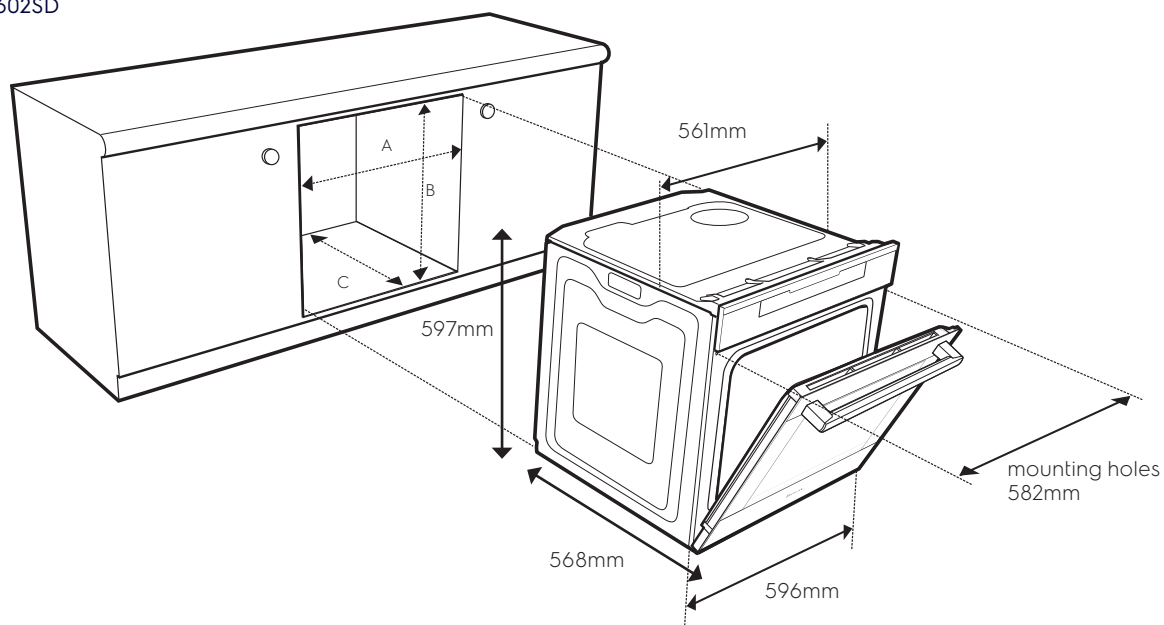
## Built-in ovens / underbench

### Models:

EVE602DSE	EVE614SD
EVE602SE	EVE614DSD
EVE602DSD	EVE616DSD
EVE602SD	

### Cut-out dimensions

Type of fit	A (width)	B (height)	C (depth)
Flush fit (mm)	600	600	581 min.



**Please note!** Dimensions to be used as a guide only. All customers MUST refer to the user manual supplied with the product for detailed installation instructions.

© 2021 Electrolux Home Products Pty Ltd. E\_DIM\_HN\_Oven\_60\_UB\_Jun21

# Dimension Guide

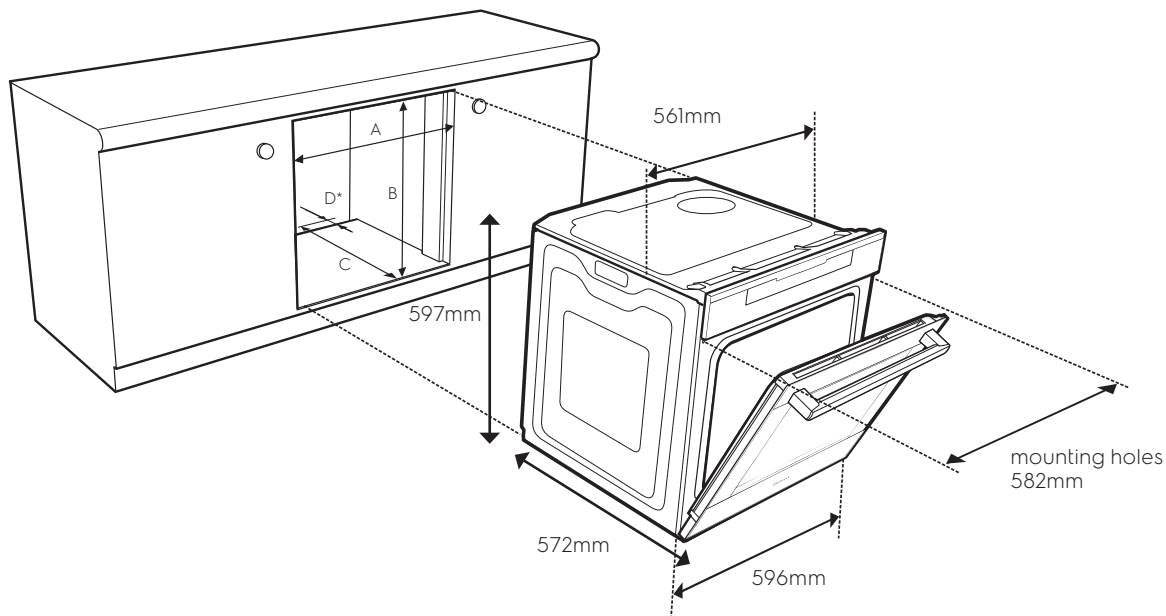
## Built-in ovens / underbench

### Models:

EVEP614SD  
EVEP614DSD  
EVEP616DSD  
EVEP618DSD

### Pyrolytic cut-out dimensions

Type of fit	A (width)	B (height)	C (depth)	D*
Flush fit (mm)	600	600	581 min.	20



**Please note!** Dimensions to be used as a guide only. All customers MUST refer to the user manual supplied with the product for detailed installation instructions.

#### \* D - Dimension

For proper ventilation there must be a gap at the bottom rear of the cabinet. This can be a slot 20mm deep or an equivalent, full width opening (e.g. a series of holes) with a min area of 120cm<sup>2</sup>. The opening must be clear of the product when fully installed. This is a requirement any EVEPxxxx model. Power point connection for the EVEP618 must be accessible with the appliance fully installed. If the supply cord is damaged it must be replaced by the manufacturer, its service agent or similarly qualified persons in order to avoid a hazard.

© 2019 Electrolux Home Products Pty Ltd. E\_DIM\_Oven\_60\_UB\_Jun21