

# Dimension Guide

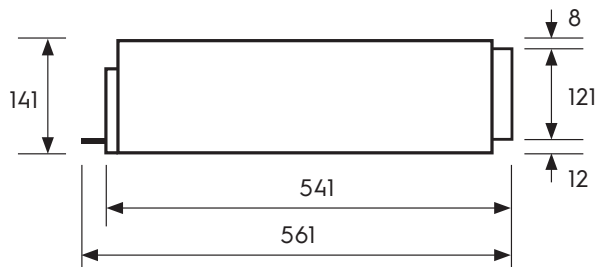
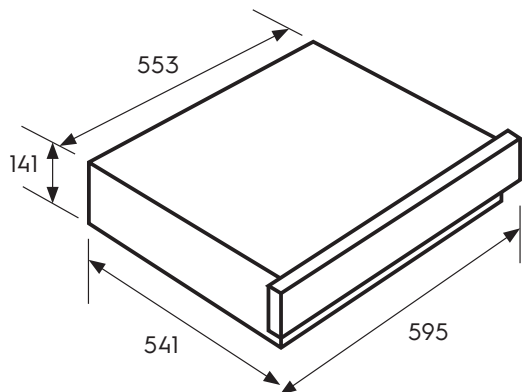
## Warming Drawer / wall

**Model:**  
EWD1402DSD

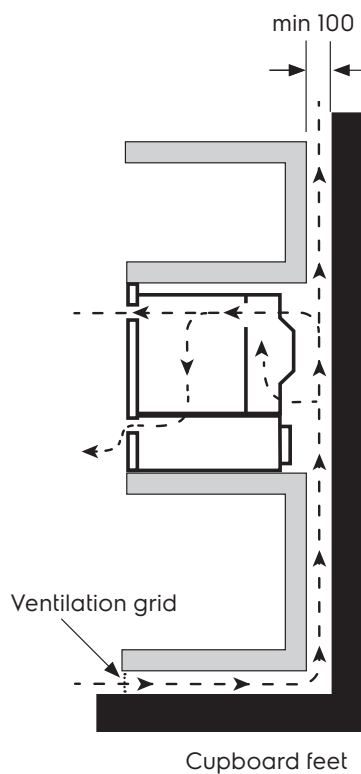
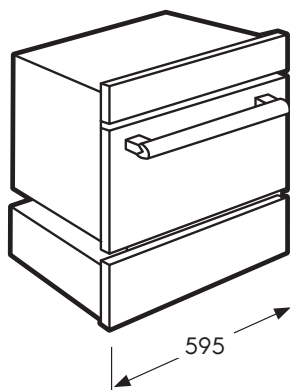
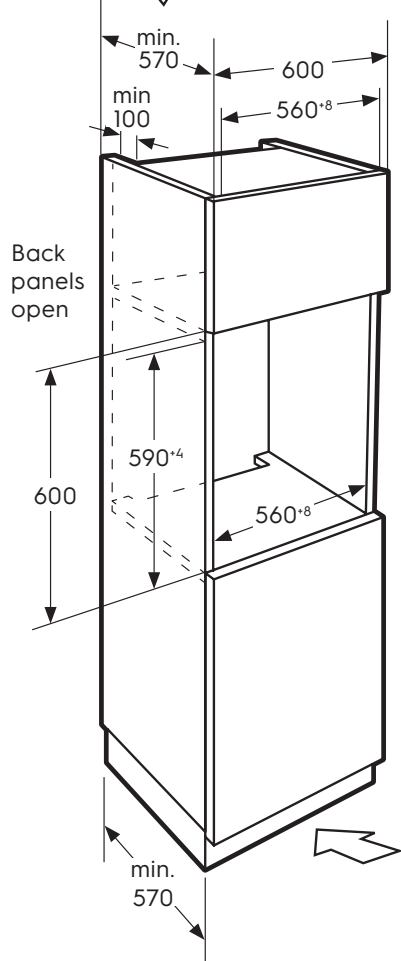
### Dimensions

Type of fit	width	height	depth
Flush fit (mm)*	600	600	570

\*When installed together with EVEM645DSD



↓ Ventilation openings behind, min. 250cm<sup>2</sup>



**Please note!** Dimensions to be used as a guide only. All customers MUST refer to the user manual supplied with the product for detailed installation instructions.  
© 2019 Electrolux Home Products Pty Ltd. EDIM\_WarmingDrawer\_Jan19