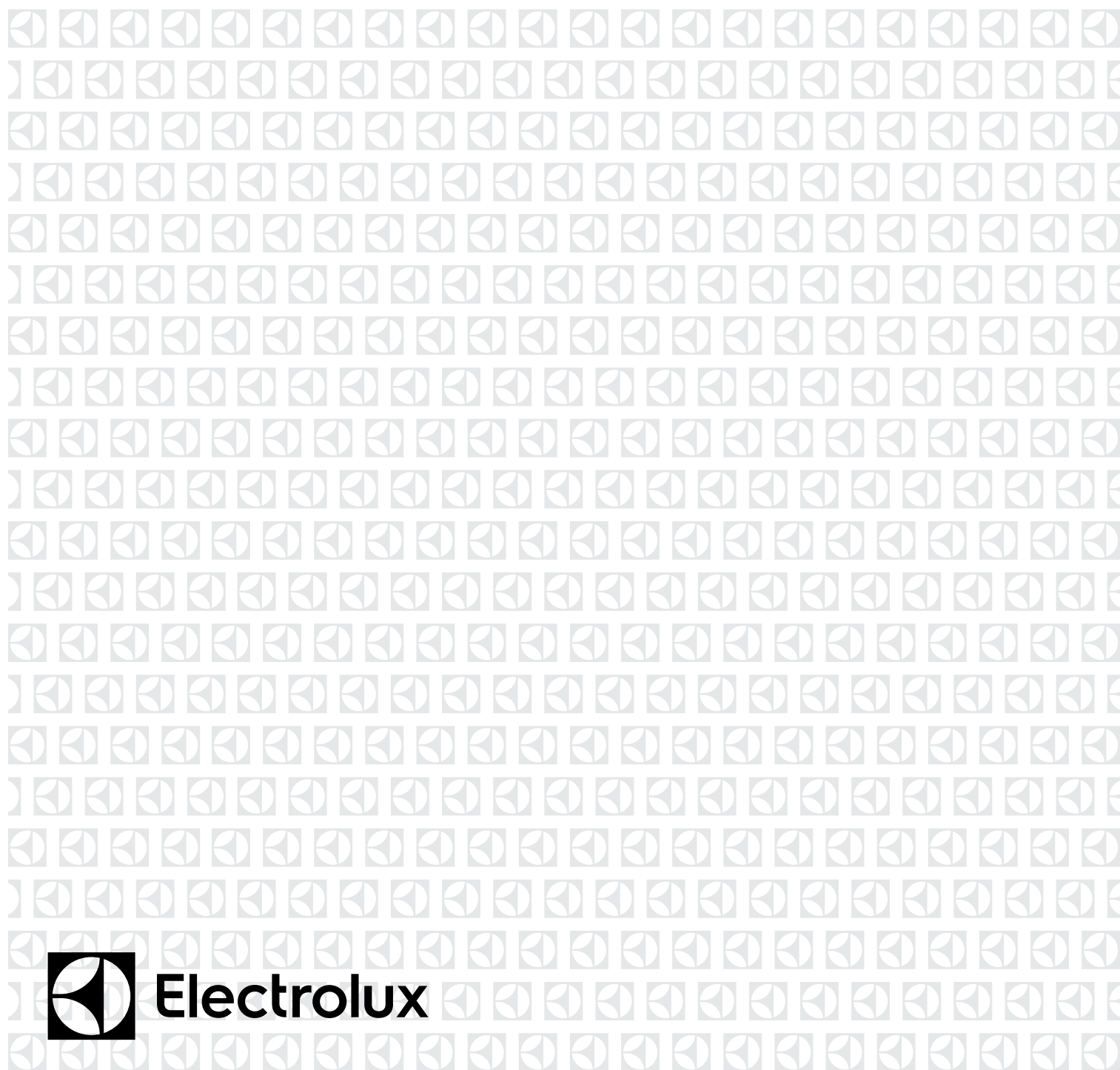


---

Handle Installation  
manual



## GENERAL WARNINGS

Please read the user manual carefully and store in a handy place for later reference. Pass the user manual on to possible new owners of the appliance.

Read the following carefully to avoid damage or injury.

*Note: You must read these warnings carefully before installing or using the accessory. If you need assistance, contact your Customer Care Department. The manufacturer will not accept liability, should these instructions or any other safety instructions incorporated in this book be ignored.*



### ENVIRONMENT!

Remove and discard any packaging material before using this accessory. Most of the packaging materials are recyclable. Please dispose of those materials through your local recycling depot or by placing them in the appropriate collection containers.



### WARNING!

Risk of suffocation, injury or permanent disability.

- This accessory is not intended for use by persons (including children) with reduced physical, sensory or mental capabilities, or lack of experience and knowledge, unless they have been given supervision or instructions concerning the use of the appliance by a person responsible for their safety.
- This accessory may contain small parts that are a choking hazard. Not suitable for children under 3 years of age.



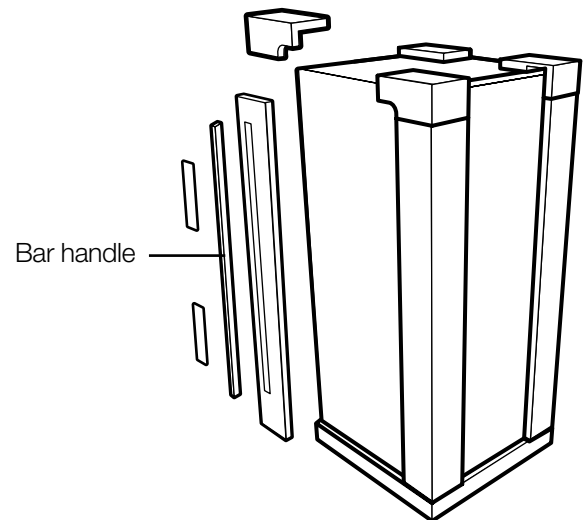
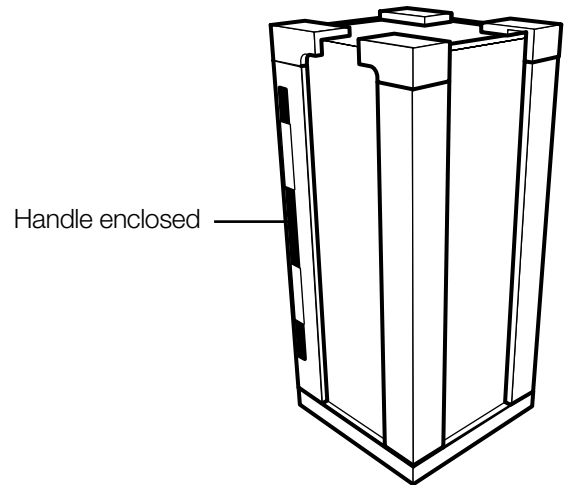
### CAUTION

It is important to use your appliance safely. Check these safety points before using your appliance.

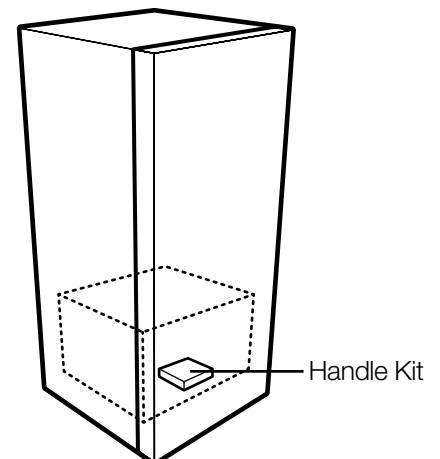
- Do not use or place the accessory near the edge of the table or counter, near hot gas, stove, electric burner or heated oven.
- This accessory is for indoor use only.
- This accessory is intended for domestic use only. Electrolux will not accept any liability for possible damage caused by improper or incorrect use.
- When cleaning, use only a soft cloth with an unscented mild soap and lukewarm water.
- Never use hot water, solvents, commercial kitchen cleaners, aerosol cleaners, metal polishes, caustic or abrasive cleaners, or scourers to clean the accessory, as they may damage it. Many commercially available cleaning products and detergents contain solvents that will damage your accessory.

## LOCATE HANDLE BAR AND HANDLE KIT

- The bar handle is securely packed in the rear left hand EPS corner post packing.



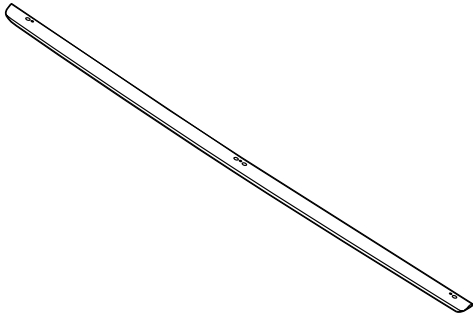
- The handle kit is located in the bottom of your refrigerator crisper or freezer drawer



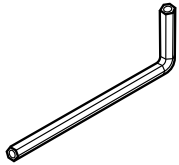
## KIT CONTENTS (ANC A03621901)

Read and follow instructions carefully when installing the handles on this appliance, you may not be eligible to make a claim under warranty for damage caused by incorrect installation techniques. Please refer to warranty card in the product user manual for further warranty information.

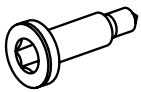
Handle bar (ANC 811583305)  
(located in rear left hand corner eps packaging)



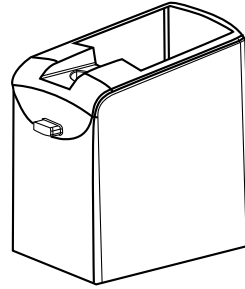
3mm Allen key x1 (ANC A03207301)



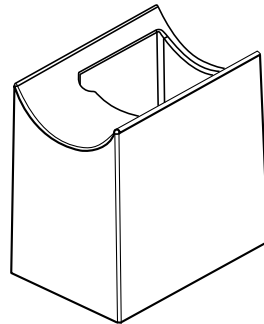
Screw M4 x 3 (ANC A03207202)



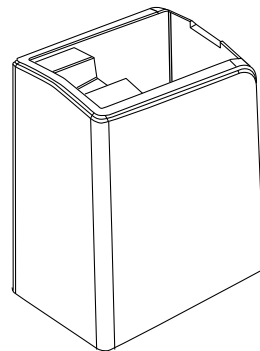
Pedestal (Top) x1 (ANC 1459143)



Pedestal (Center) x1 (ANC 1459147)



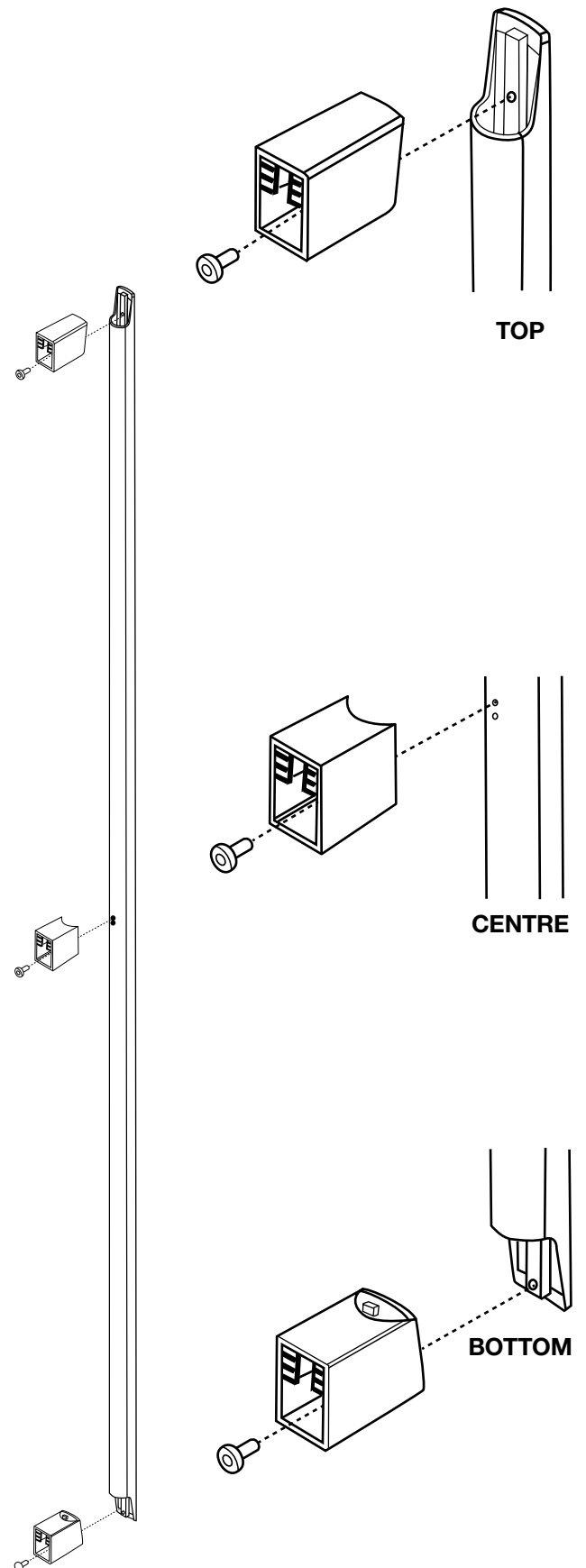
Pedestal (Bottom) x1 (ANC 1459145)



# INSTALLATION

## Bar handle assembly

- Using a suitable work space, place handle bar with screw holes facing up on a soft surface to prevent damage to handle.
- Locate and position the three handle pedestals on handle bar so that the pins locate in holes and screw holes align. Note that the pedestals are identified top, bottom and centre to aid assembly.
- Using Allen key, assemble the handle brackets to handle bar using the M4 screws provided.
- Ensure all screws are tight.

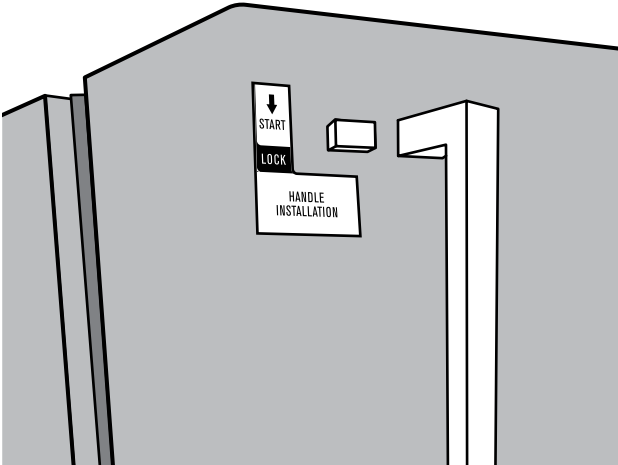


# INSTALLATION

## Assemble bar handle to door

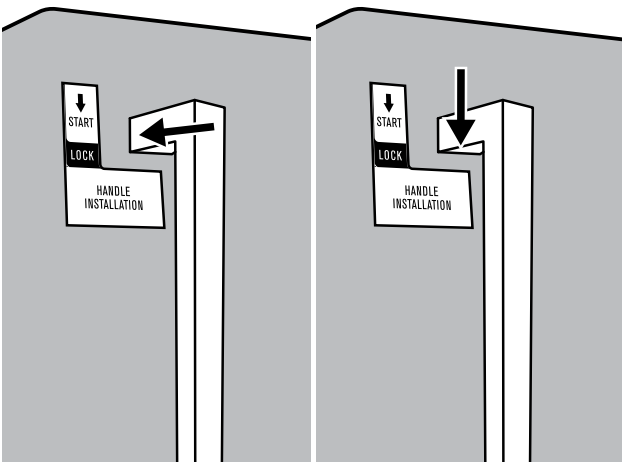
### Step 1.

Position top door handle over handle mounts and align with template on the door.



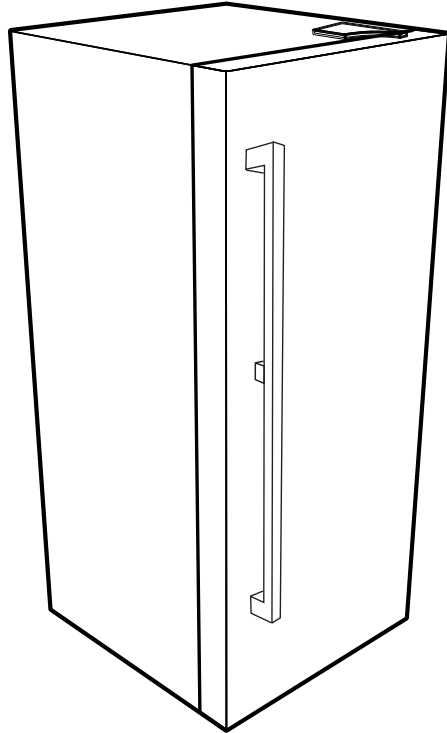
### Step 2.

Pull handle down until it locks into position and aligns with template on the door.



### Step 3.

Remove templates after handle fitment.







**Electrolux Home Products Australia**

telephone: 1300 363 640  
fax: 1800 350 067  
email: [customercare@electrolux.com.au](mailto:customercare@electrolux.com.au)  
web: [electrolux.com.au](http://electrolux.com.au)

**Electrolux Home Products New Zealand**

telephone: 0800 234 234  
fax: 0800 363 600  
email: [customercare@electrolux.co.nz](mailto:customercare@electrolux.co.nz)  
web: [electrolux.co.nz](http://electrolux.co.nz)



**P/No. A04916503**

© 2016 Electrolux Home Products Pty Ltd

Print code: EMAN\_Handle\_IM\_Jul16  
Issue date: Jul16