

ERHC1238S  
ERHC938S

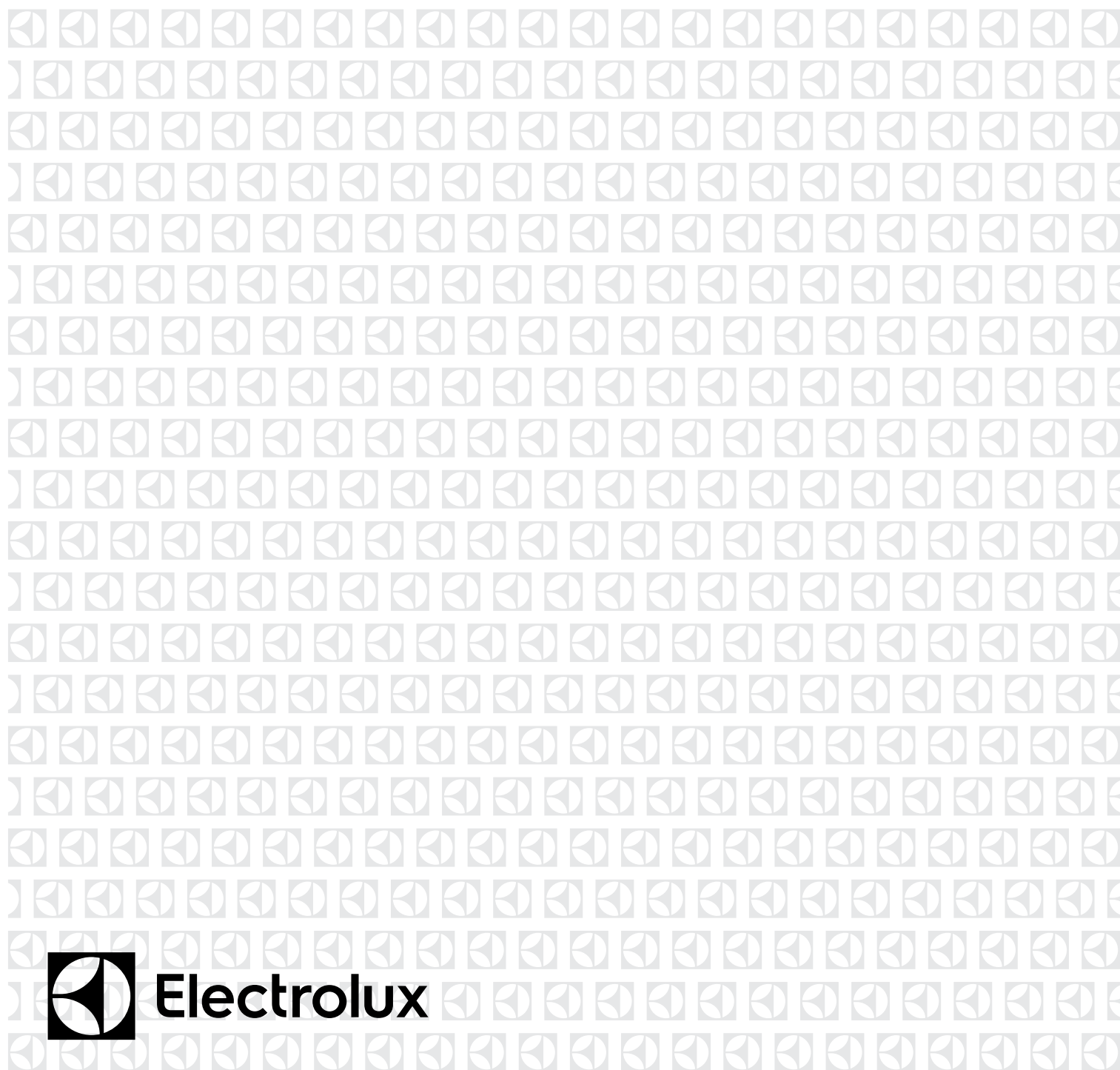


---

Canopy cooker hood

---

Installation & User manual



## CONGRATULATIONS

Thank you for purchasing an Electrolux cooker hood. You've chosen a product that brings with it decades of professional experience and innovation. Ingenious and stylish, it has been designed with you in mind. So whenever you use it, you can be safe in the knowledge that you'll get great results every time.

Welcome to Electrolux.

## BEFORE USING YOUR APPLIANCE

Before you use the cooker hood, we recommend that you read through the relevant sections of this manual, which provides the description of your appliance and its functions.

To avoid the risks that are always present when you use an appliance, it is important that the appliance is installed correctly and that you read the safety instructions carefully to avoid misuse and hazards.

We recommend that you keep this instruction booklet for future reference and pass it on to any future owners.

After unpacking the appliance please check it is not damaged. If in doubt, do not use the appliance but contact your local customer care centre.

## CONDITIONS OF USE

This appliance is intended to be used in household and similar applications such as:

- Staff kitchen areas in shops, offices and other working environments
- Farm houses
- By clients in hotels, motels and other residential type environments
- Bed and breakfast type environments.

### **IMPORTANT!**

**Check for any damages or marks. If you find the cooker hood is damaged or marked, you must report it within 7 days if you wish to claim for damage/marks under the manufacturer's warranty. This does not affect your statutory rights.**

## RECORD MODEL AND SERIAL NUMBER HERE:

Model:

---

Serial No:

---

## CONTENTS

Important safety instructions.....	3
Description of cooker hood .....	4
Components list .....	4
Technical specifications .....	4
Cooker hood dimensions .....	5
Installation .....	5
Using the cooker hood .....	8
Maintaining the cooker hood.....	9
Troubleshooting.....	10
Changing the halogen lamps .....	10
Optional ducting accessories.....	12
Warranty .....	15

## SYMBOLS

### **WARNING!**

**This symbol indicates information concerning your personal safety.**

### **CAUTION!**

**This symbol indicates information on how to avoid damaging the appliance.**

### **IMPORTANT!**

**This symbol indicates tips and information about use of the appliance.**

### **ENVIRONMENT!**

**This symbol indicates tips and information about economical and ecological use of the appliance.**

## INFORMATION ON DISPOSAL FOR USERS

### **ENVIRONMENT!**

**Most of the packing materials are recyclable. Please dispose of those materials marked with the recycle symbol  through your local recycling depot or by placing them in appropriate collection containers.**

If you wish to discard this product, please contact your local authorities and ask for the correct method of disposal.

# IMPORTANT SAFETY INSTRUCTIONS

This manual explains the proper use of your new Electrolux canopy cooker hood. Please read this manual carefully before using the product. This manual should be kept in a safe place for handy reference.

This cooker hood is a domestic appliance which has been manufactured and tested to comply with Australian and New Zealand Standard AS/NZS 60335.2.31



## WARNING!

**Follow these instructions carefully to avoid an electric shock or fire.**

⊘	Young children should be supervised to ensure they do not play with the canopy rangehood.
⊘	This appliance is not intended for use by persons (including children) with reduced physical, sensory or mental capabilities, or lack of experience and knowledge, unless they have been given supervision or instruction concerning the use of the appliance by a person responsible for their safety.
⊙	Ensure the canopy rangehood is switched off before carrying out maintenance, to avoid any possibility of electric shock.
⊙	Never carry out flambé cooking under the canopy rangehood.
⊙	This canopy rangehood is recommended for barbecues when installed according to AS/NZS5601.
⊙	This canopy rangehood can be installed for outdoor use if in a sheltered location that protects the appliance from the weather.
⊙	Grease filters must be removed every four weeks (maximum) for cleaning to reduce the risk of fire.
⊙	The exhaust from the canopy rangehood must not be discharged into any heating flue, which may carry combustion products from other sources. (Fig. 1)
⊙	Exhaust air must not be discharged into a wall cavity, unless the cavity is designed for the purpose.
⊙	There must be adequate ventilation of the room when the canopy rangehood is used at the same time as appliances burning gas or other fuels.
⊙	Always cover lit gas burners with pots or pans when canopy rangehood is in use.
⊙	Always switch off gas burners before you remove pots or pans.
⊙	Do not leave lit gas burners exposed due to the risk of fire. (Fig. 2)



## WARNING!

**Accessible parts may become hot when used with cooking appliances.**

## Electrical connection

Check that the mains voltage matches with the voltage on the data plate inside the canopy cooker hood. Check that the installation complies with standards of local building, gas and electrical authorities. Before connecting to the mains supply ensure that the mains voltage corresponds to the voltage on the rating plate inside the cooker hood.

If the supply cord is damaged, it must be replaced by the manufacturer or its service agent or similarly qualified person in order to avoid a hazard.

## Safety warnings – for the installer

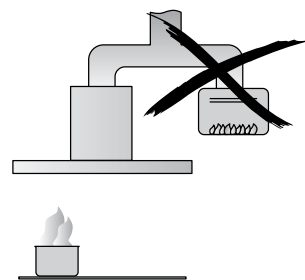
When installing the cooker hood, make sure you adhere to the minimum and maximum distances from the cooker hood base to the hob or barbecue surface (as per table in “Installation” section).

## Exhaust flue installation

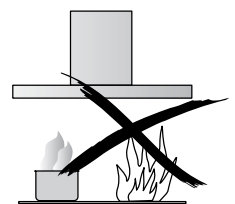
The following rules must be strictly followed to obtain optimal air extraction.

- Keep exhaust flue short and straight
- Do not reduce the size or restrict exhaust flue
- Keep bends in the exhaust flue to a minimum
- When using flexible flue always install duct with helix pulled taut to minimise pressure loss
- Failure to observe these basic instructions will drastically reduce the performance and increase the noise levels of the cooker hood.

*NOTE: Exhaust cover is supplied as an optional accessory. Some installations may require the exhaust cover to be cut to length. If required, cut with sharp tin snips or a fine-tooth hack saw blade, taking care not to distort or dent the exhaust cover.*



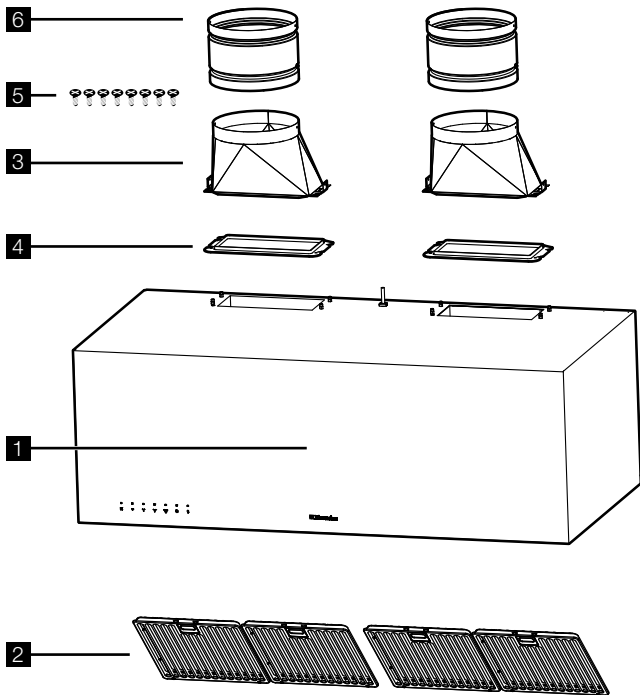
**Fig. 1**



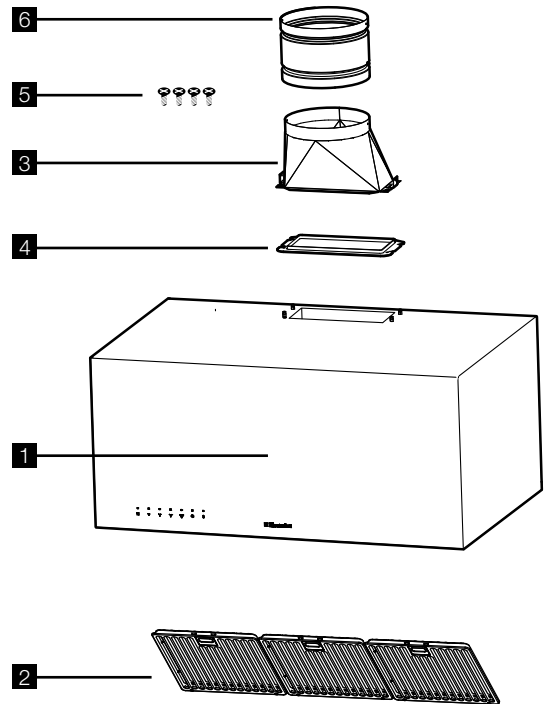
**Fig. 2**

# PRODUCT DESCRIPTION

## ERHC1238S



## ERHC938S



- 1** Main body and fan assemblies
- 2** Grease filters
- 3** Exhaust transition
- 4** Exhaust transition seal
- 5** Exhaust transition screw
- 6** Damper

Components list			
Part		ERHC1238S	ERHC938S
<b>1</b>	Main body and fan assemblies	2 fans	1 fan
<b>2</b>	Grease filters	4	3
<b>3</b>	Exhaust transition	2	1
<b>4</b>	Exhaust transition seal	2	1
<b>5</b>	Exhaust transition screw	8	4
<b>6</b>	Damper	2	1

NOTE: Dampers not required for outdoor installations.

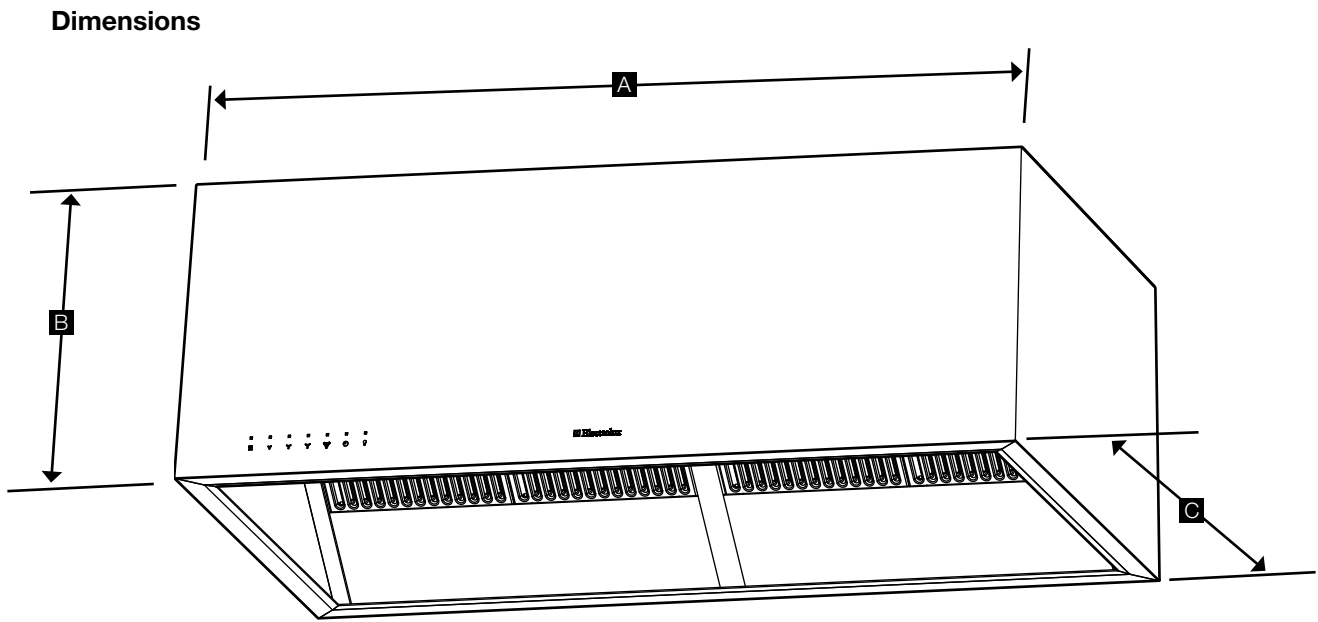
## TECHNICAL SPECIFICATION

- Power supply: 240 Volts 50 Hz.  
Connects to 10A power point
- ERHC938S - 275 Watts,  
ERHC1238S - 510 Watts
- Lights:  
4 x 20 watt, 12 volts halogen (ERHC1238S)  
3 x 20 watt, 12 volts halogen (ERHC938S)

## ADDITIONAL ITEMS REQUIRED FOR INSTALLATION

- Fixings required to attach cooker hood body and anti-tilt points
- Worm drive clamps, Duct tape or cable ties
- Ducting accessories.

# INSTALLATION



**Fig. A**

Model	Width <b>A</b>	Height <b>B</b>	Depth <b>C</b>	Weight
ERHC938S	900mm	415mm	580mm	31kg
ERHC1238S	1200mm	415mm	580mm	48kg

## COOKER HOOD INSTALLATION

- Using a spirit level mark a vertical centre line on the wall where the cooker hood is to be positioned, and a horizontal line at the hood base position.

*NOTE: See table below for the minimum and maximum height of the underside of cooker hood.*

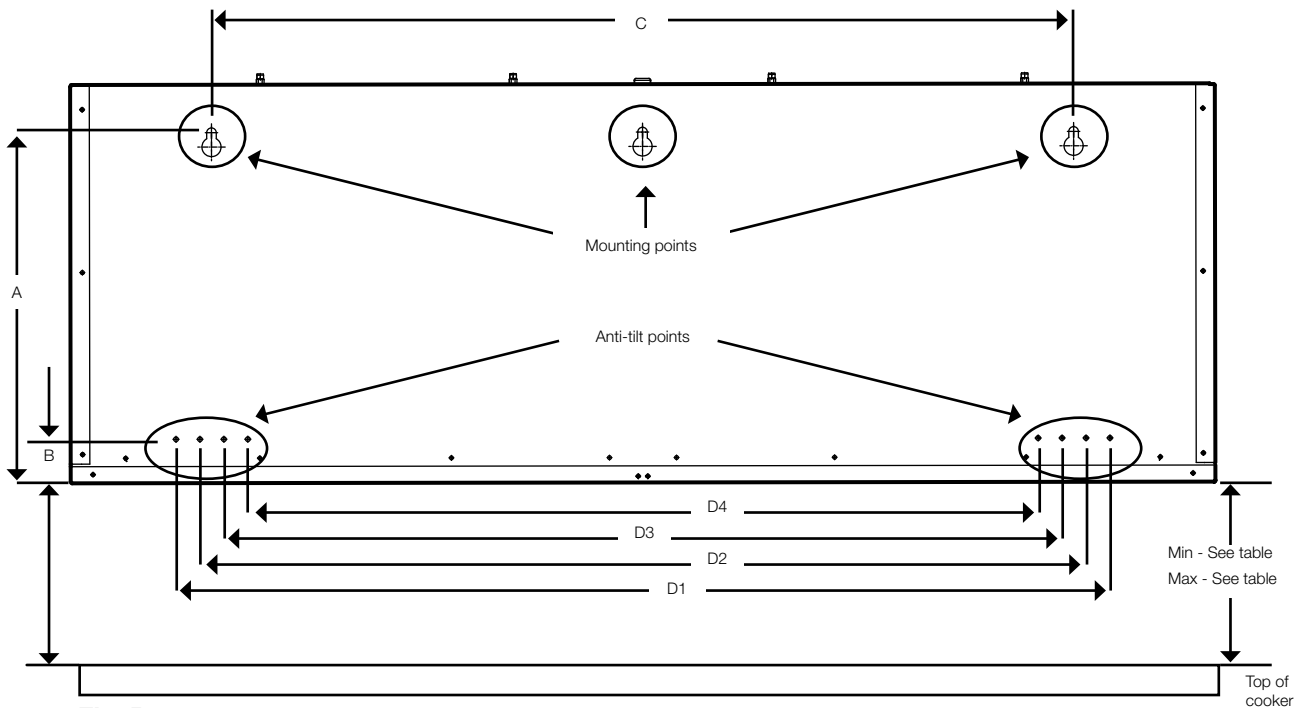
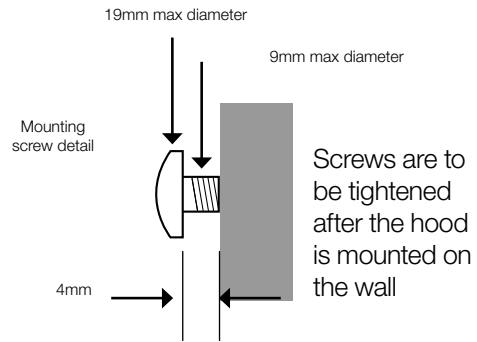
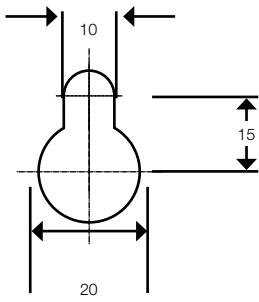
- Mark the location for the wall mounting points and anti-tilt fixing points as shown (Fig. B).
- Install suitable screws for cooker hood mounting points (to support a total weight of 50kg) to the wall as marked (Fig. B).

Cooker type	Minimum height*	Maximum height*
Electric hob	600 mm	1200mm
Gas hob	650 mm	1200mm
Gas BBQ open grill	1100 mm**	1200mm

*\* If the instructions of the hob specify a greater distance than the minimum above, then that shall be the minimum height for installation.*

*\*\* Installation height as specified in AS/NZS 5601 clause 6.10.1.7*

# COOKER HOOD INSTALLATION (CONT)



**! WARNING!**

Failure to install the screws or fixing device in accordance with these instructions may result in electrical hazards.

Model	A	B	C	D1	D2	D3	D4	D5	D6
ERHC938S	366mm	46mm	500mm	750mm	700mm	650mm	600mm	787mm	485mm
ERHC1238S	366mm	46mm	900mm	975mm	925mm	875mm	825mm	1085mm	485mm

If additional or alternative mounting points are required there are 4 x M10 threaded mounting points on the top of the cooker hood as highlighted in the image below.

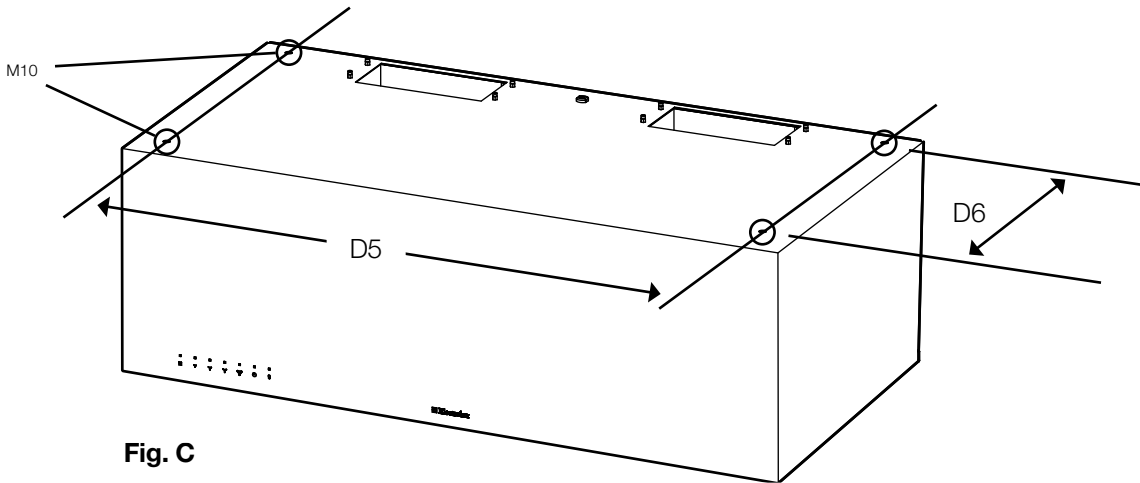


Fig. C

4. Prior to installing the cooker hood into position, fix exhaust transition duct using screws supplied, ensuring the seal is between the cooker hood top panel and the base of the exhaust transition (Fig. D).
- 4a. If required, fit the dampers and secure with clamps, duct tape or cable ties.

#### Transition pieces ERHC1238S - 1200mm model

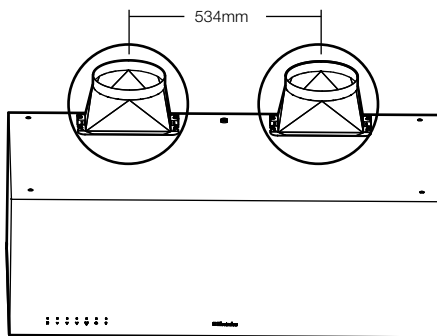
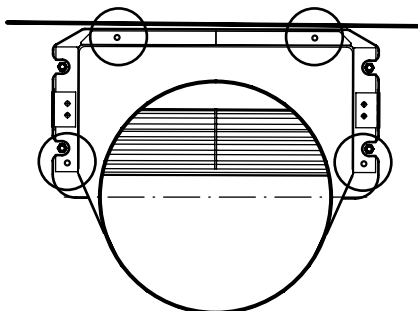


Fig. D

#### Transition piece screw holes (4 places)



5. Mounting and securing the transition pieces is shown in Fig. D.

#### **! WARNING!**

**Use screws provided to secure transition piece at preformed holes. Using alternate screws and hole locations may cause an electrical safety risk.**

6. Hang hood on the mounting screws, tighten mounting screws then secure at the anti-tilt locations as indicated (Fig. B).

#### **! WARNING!**

**Due to product weight, take appropriate measures to lift and position the product to avoid injury.**

7. The canopy cooker hood has been supplied with duct transition piece/s, 200mm diameter non-combustible flue pipe must be used with the transition piece/s. Continue the centre line to the ceiling. Fit preferred flue pipe to the fan transition duct (Fig. D1 & D2, see page 11).

Use worm drive clamps, cable ties or suitable duct tape to secure flexible pipe to the transition duct.

*NOTE: We recommend extending flue pipe through the roof to external roof cowl to vent exhaust externally. We do not recommend venting into ceiling cavity.*

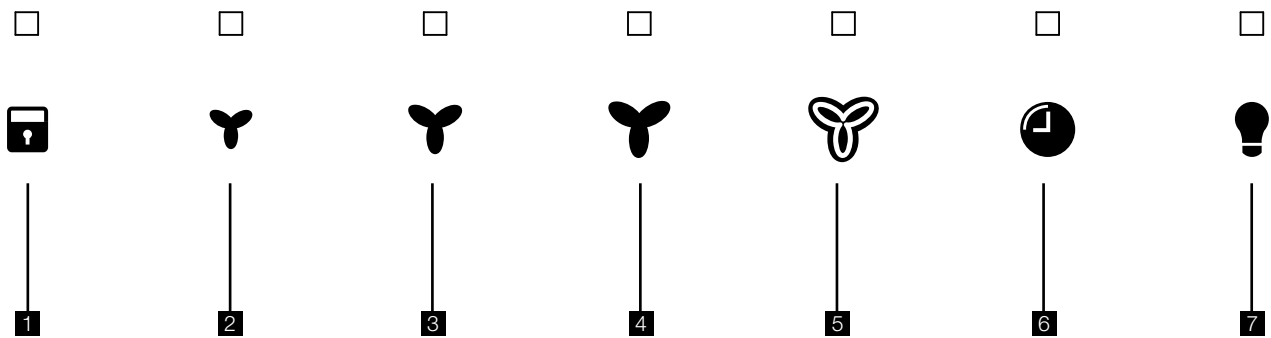
*To ensure optimum performance of the cooker hood, the use of 200 mm diameter rigid ducting is recommended. The use of bends should be avoided. Rigid flexible ducting is suitable, although loose flexible ducting is unacceptable. All ducting must be fire retardant.*

#### **Electrical connection**

Check that the installation complies with the standards of local building, gas and electrical authorities. Before connecting to the mains supply ensure that the mains voltage corresponds to the voltage on the rating plate inside the cooker hood.

# USING THE COOKER HOOD

## CONTROL OPERATION



- 1** Lock
- 2** Speed 1 (minimum)
- 3** Speed 2
- 4** Speed 3
- 5** Speed 4 (maximum)
- 6** Timer off
- 7** Lamp

### Lock

Press and hold 'lock' button for 3 seconds to lock control interface when cleaning, press and hold for 3 seconds to unlock control interface.

The lock LED indicator will turn off after 3 minutes. If a function button is pressed after lock LED indicator has turned off there will be a "beep" and the Lock LED indicator will flash for 5 seconds as a reminder that the lock function is still active.

**Speed 1** – suitable for light frying and light barbecuing.

**Speed 2** – suitable for frying, wok cooking and barbecuing.

**Speed 3** – suitable for intensive frying, intensive wok cooking and barbecuing.

**Speed 4** – suitable for very smoky cooking and/ or to clear smoke from an area that has a build up of smoke.



### WARNING!

**The cooker hood is not intended for continuous use over barbecues with lit burners, without cooking in progress.**

### Timer off

At the end of cooking if the timer is activated, the cooker hood will continue to run for an additional 5 minutes to remove any odours that remain at the completion of cooking.

During the 5 minute period the fan speed will gradually reduce until the canopy turns itself OFF.

*NOTE: If lamps are on when timer function is used, the lamps will remain on.*

When the timer function is activated the "Timer" LED indicator will illuminate and the previously selected fan speed LED indicator will turn off. To deactivate the timer, press the timer button again or press a fan speed button to resume normal operation.

### Lamp

Press the 'lamp' symbol to turn the lamp ON, The first press will set the lamps to maximum intensity. The second press will set the lamps to half intensity. The third press will turn the lamps OFF. Lamps will now be ready to be turned on again.



# MAINTENANCE AND CLEANING

## WARNING!

Before maintenance or cleaning is carried out, the canopy cooker hood should be disconnected from the main power supply. Ensure that the cooker hood is switched off at the wall socket and the plug removed.

## WARNING!

External surfaces are susceptible to scratches and abrasions, so please follow the cleaning instructions to ensure the best possible result is achieved without damage.

### Stainless steel surface

These instructions must be followed to avoid a fire risk. Clean stainless steel surfaces using non-abrasive cleaning products that are specifically for use on stainless steel.

To ensure best results also use an even pressure and follow the grain of the stainless steel. Use of a soft cloth reduces the risk of scratching. If the cloth is wet ensure that a dry soft cloth is used to wipe down the surface again reducing the risk of any surface rust appearing.

### Cleaning grease filters

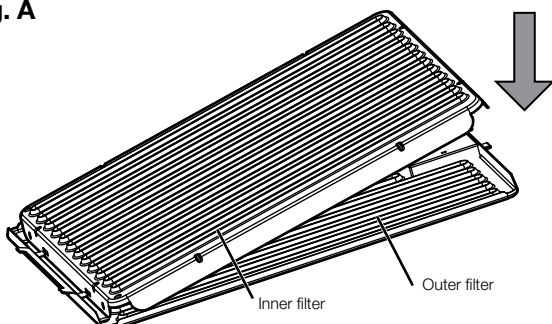
The filters can be cleaned by hand or dishwasher. After cleaning ensure the filters are completely dry before refitting. Grease filters must be removed every four weeks (maximum) for cleaning to reduce the risk of fire.

- **By hand** - Soak in warm water and some washing up liquid. For stubborn grease stains use a soft nylon brush to help remove these stains.
- **In a dishwasher** - Ensure that placement of the filters is made so as to not impede the function of the dishwasher spray arm. Washing the filters in a dishwasher may cause discolouration over time although it will not effect their performance. Filters should be washed separately to crockery and other kitchen utensils.

### Removing filters

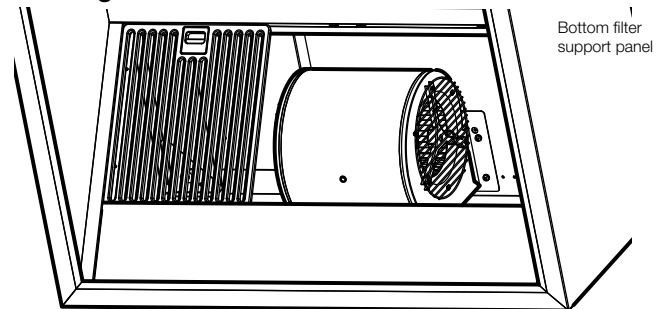
Remove filters by pulling down the latch to disengage the lock pins. (Fig. A).

Fig. A



As lock pins are disengaged pull the filter slightly toward you and then lift the filter up slightly to clear the bottom filter support panel (Fig. B).

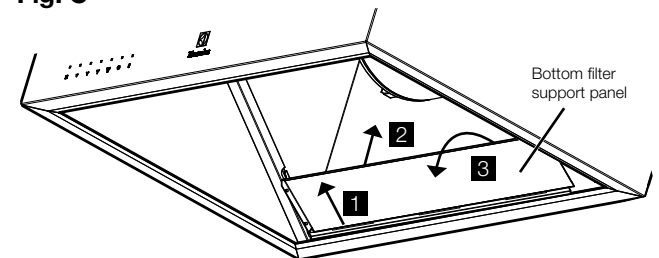
Fig. B




### Removing filter support panels


To remove bottom filter support panel, hold the panel at each end and lift, then push the panel in. (see arrows in Fig. C). This will disengage the panel support pins to allow removal of the panel (Fig. C).

Fig. C



- |                        |                                       |   |
|------------------------|---------------------------------------|---|
| <b>1</b> Slide upwards | <b>2</b> Disengage by pushing inwards | <b>3</b> Take out from hood when disengaged from location slots |
|------------------------|---------------------------------------|---|

 **Do not use the cooker hood without filters installed.**

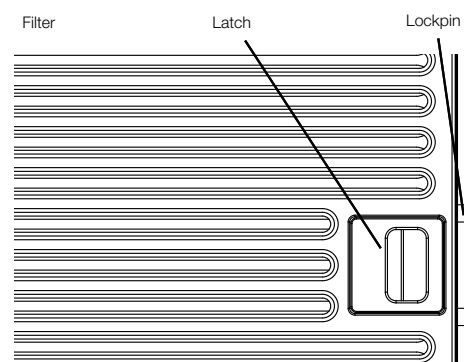
 **Do not clean the canopy cooker hood with water using a hose or high pressure cleaner.**

### Inner panels and trough

After each use the inner panels and trough should be wiped clean with non-abrasive cleaning products to prevent excessive build up of oils/grease.

## WARNING!

### Beware of edges

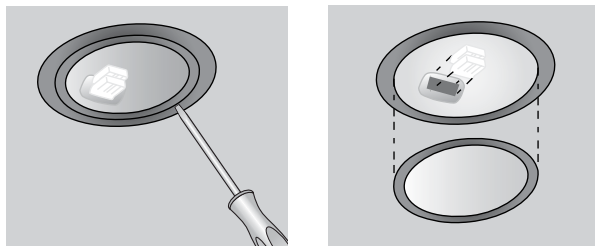


# MAINTENANCE AND CLEANING (CONTINUED)

## CHANGING THE HALOGEN LAMPS

### **WARNING!**

**Ensure lamp is cool before removing.**



Using a small flat blade screw driver remove the inner stainless steel ring to obtain access to the halogen globe. When removing the inner ring, do so carefully, as the glass lense could easily fall out of the inner ring. Remove the halogen globe, whilst cool, and replace carefully with a new globe.

**ERHC1238S** cooker hood has 4 x 20W, 12 volt halogen globes.

**ERHC938S** cooker hood has 3 x 20W, 12 volt halogen globes.

### **IMPORTANT!**

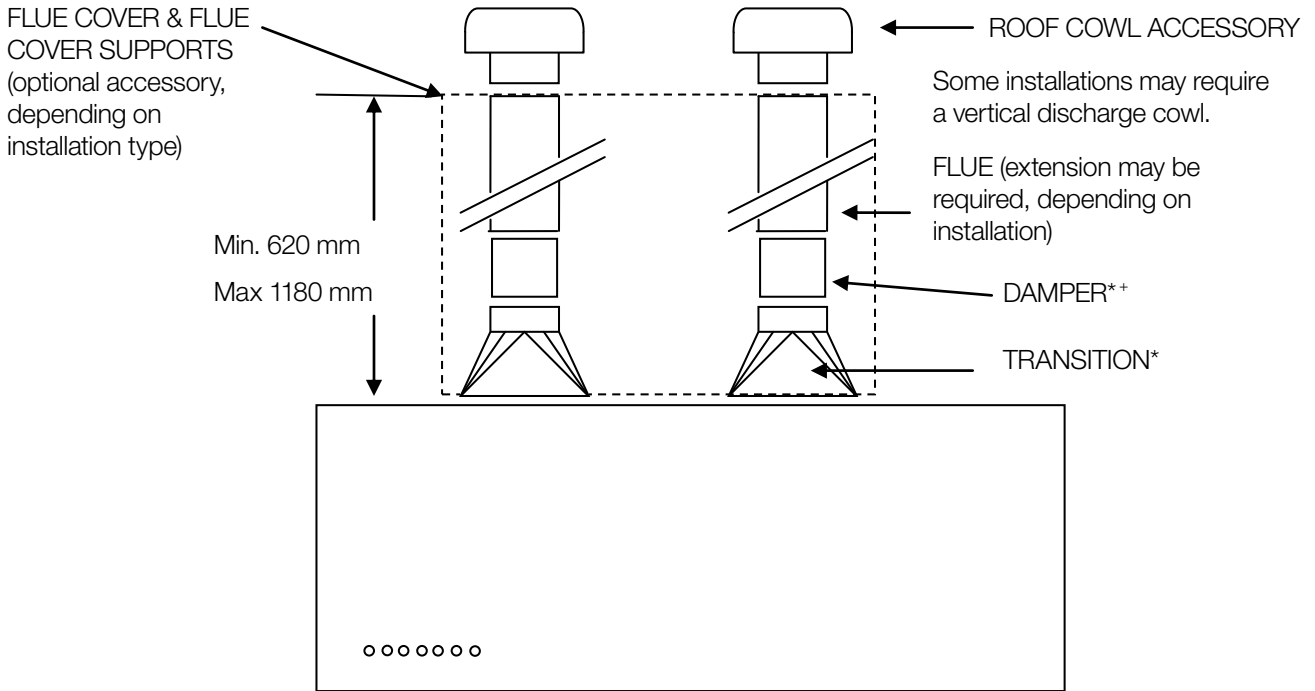
**When handling globes hold with a cloth or gloves to ensure perspiration does not come into contact with a globe as this can reduce the life of the globe.**

## TROUBLE SHOOTING

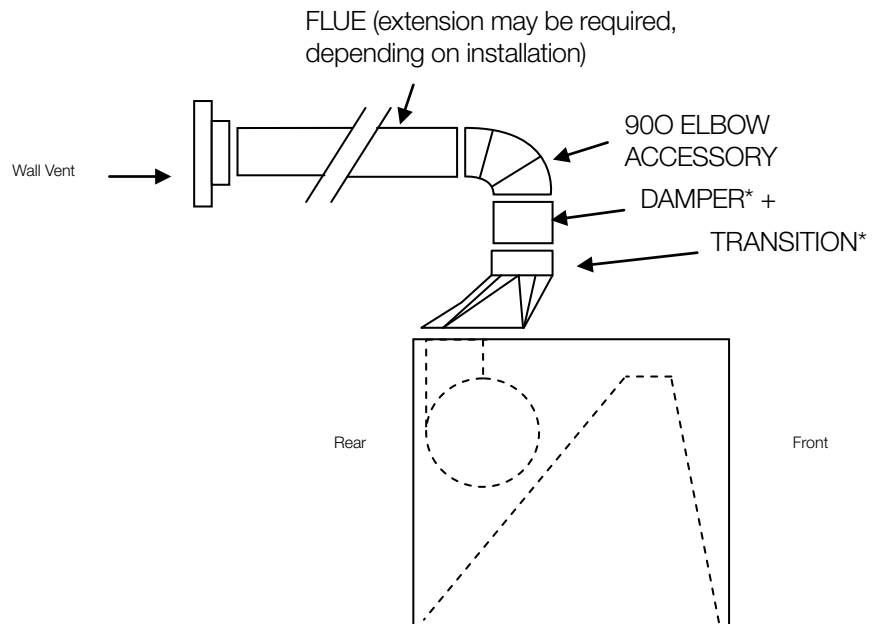
Troubleshooting guide	
Problem	Remedy
The cooker hood will not start	<ul style="list-style-type: none"> <li>• Check that cooker hood is connected to an electrical supply.</li> <li>• Check that a fan speed has been selected.</li> </ul>
The cooker hood is not working	<ul style="list-style-type: none"> <li>• Check that fan speed is high enough for the task.</li> <li>• The grease filters are clean.</li> <li>• The kitchen is adequately vented to allow entry of fresh air.</li> <li>• Check ducting and outlets are not blocked.</li> </ul>
The cooker hood has switched off during operation	<ul style="list-style-type: none"> <li>• The safety device may have tripped – turn off the cooking appliance and wait for the device to reset. If the hood is installed below the heights indicated in the installation instructions the motor will cut out frequently which will damage the cooker hood.</li> </ul>

If you have completed all of the above checks and are still experiencing difficulty, please contact your local Electrolux Service Centre.

# TYPICAL INSTALLATIONS SHOWING ACCESSORY APPLICATIONS



**Fig. D1**

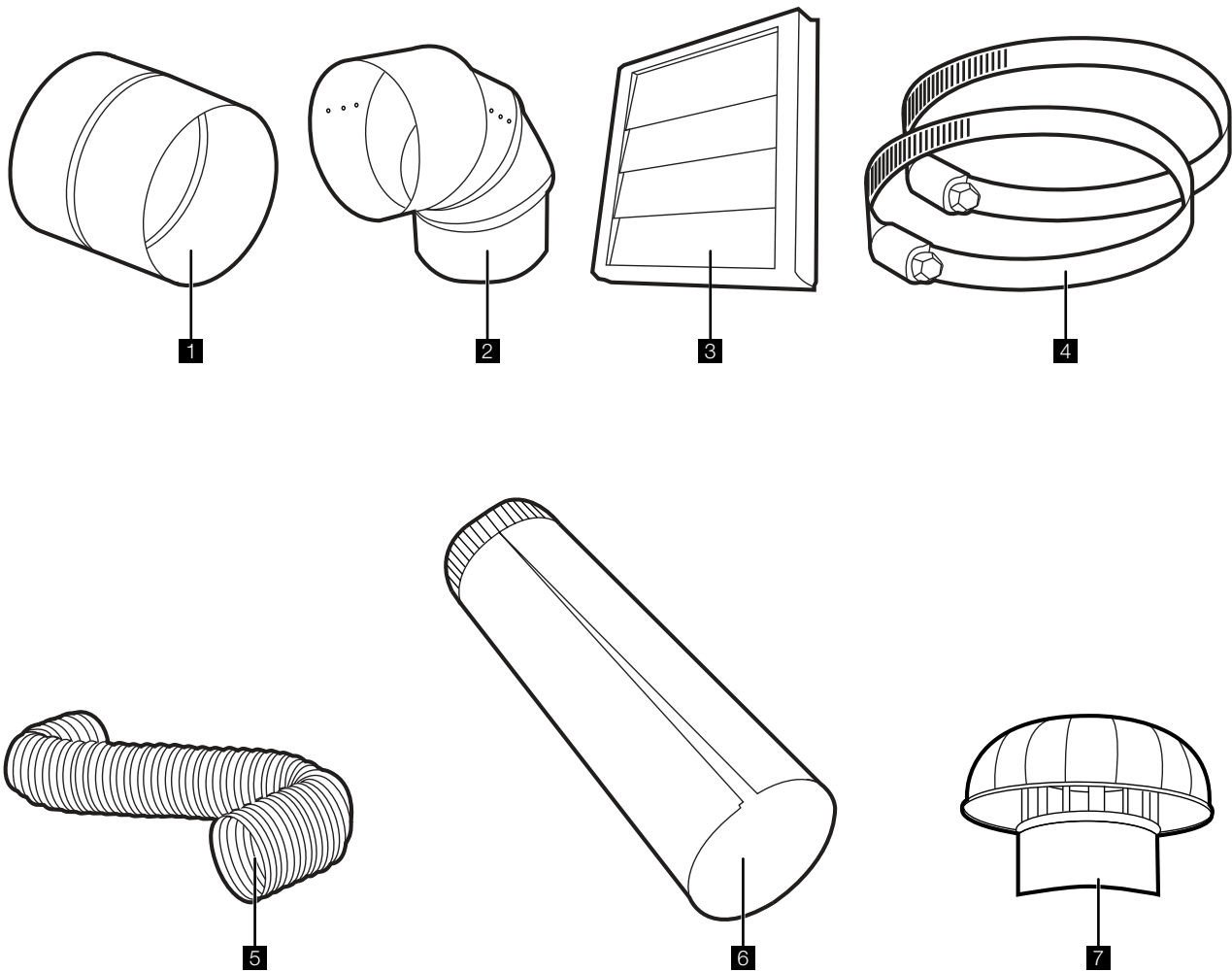


**Fig. D2**

\* Supplied with cooker hood as standard equipment

+ Damper not required for outdoor installations

# ACCESSORIES



- 1** AR200FJ
- 2** AR200E
- 3** AR200WV
- 4** AR200WC

- 5** AR200FD
- 6** AR200F
- 7** AR200RC

Part numbers	Description
AR200RC	200mm Roof cowl
AR200F	200mm Flue (length 1200mm)
AR200WV	200mm Wall vent
AR200E	200mm 90° Elbow
AR200FD	200mm semi rigid flexible flue (0.7m min & 3.0m max length)
AR200FJ	200mm Flue joiner
AR200WC	200mm worm drive clamp
AR209FS	Stainless flue cover to suit 900mm model (Min height 620mm Max height 1180mm)
AR212FS	Stainless flue cover to suit 1200mm model (Min height 620mm Max height 1180mm)

NOTE: Accessories are to be purchased separately.







FOR SALES IN AUSTRALIA AND NEW ZEALAND  
APPLIANCE: RANGEHOOD

**This document sets out the terms and conditions of the product warranties for Electrolux Appliances. It is an important document. Please keep it with your proof of purchase documents in a safe place for future reference should you require service for your Appliance.**

1. In this warranty:
  - (a) 'acceptable quality' as referred to in clause 10 of this warranty has the same meaning referred to in the ACL;
  - (b) 'ACL' means Schedule 2 to the Competition and Consumer Act 2010;
  - (c) 'Appliance' means any Electrolux product purchased by you and accompanied by this document;
  - (d) 'ASC' means Electrolux authorised service centres;
  - (e) 'Electrolux' means Electrolux Home Products Pty Ltd of 163 O'Riordan Street, Mascot NSW 2020, ABN 51 004 762 341 in respect of Appliances purchased in Australia and Electrolux (NZ) Limited (collectively 'Electrolux') of 3-5 Niall Burgess Road, Mount Wellington, in respect of Appliances purchased in New Zealand;
  - (f) 'major failure' as referred to in clause 10 of this warranty has the same meaning referred to in the ACL and includes a situation when an Appliance cannot be repaired or it is uneconomic for Electrolux, at its discretion, to repair an Appliance during the Warranty Period;
  - (g) 'Warranty Period' means the Appliance is warranted against manufacturing defects in Australia for 24 months and in New Zealand for 24 months, following the date of original purchase of the Appliance;
  - (h) 'you' means the purchaser of the Appliance not having purchased the Appliance for re-sale, and 'your' has a corresponding meaning.
2. This warranty only applies to Appliances purchased and used in Australia or New Zealand and used in normal domestic applications and is in addition to (and does not exclude, restrict, or modify in any way) any non-excludable statutory warranties in Australia or New Zealand.
3. During the Warranty Period Electrolux or its ASC will, at no extra charge if your Appliance is readily accessible for service, without special equipment and subject to these terms and conditions, repair or replace any parts which it considers to be defective. Electrolux or its ASC may use remanufactured parts to repair your Appliance. You agree that any replaced Appliances or parts become the property of Electrolux. This warranty does not apply to light globes, batteries, filters or similar perishable parts.
4. Parts and Appliances not supplied by Electrolux are not covered by this warranty.
5. To the extent permitted by law, you will bear the cost of transportation, travel and delivery of the Appliance to and from Electrolux or its ASC. If you reside outside of the service area, you will bear the cost of:
  - (a) travel of an authorised representative;
  - (b) transportation and delivery of the Appliance to and from Electrolux or its ASC.

In all instances, unless the Appliance is transported by Electrolux or an Electrolux authorised representative, the Appliance is transported at the owner's cost and risk while in transit to and from Electrolux or its ASC.
6. Proof of purchase is required before you can make a claim under this warranty.
7. You may not make a claim under this warranty unless the defect claimed is due to faulty or defective parts or workmanship. Electrolux is not liable in the following situations (which are not exhaustive):
  - (a) the Appliance is damaged by:
    - (i) accident
    - (ii) misuse or abuse, including failure to properly maintain or service
    - (iii) normal wear and tear
    - (iv) power surges, electrical storm damage or incorrect power supply
    - (v) incomplete or improper installation
    - (vi) incorrect, improper or inappropriate operation
    - (vii) insect or vermin infestation
    - (viii) failure to comply with any additional instructions supplied with the Appliance;
  - (b) the Appliance is modified without authority from Electrolux in writing;
  - (c) the Appliance's serial number or warranty seal has been removed or defaced;
  - (d) the Appliance was serviced or repaired by anyone other than Electrolux, an authorised repairer or ASC.
8. This warranty, the contract to which it relates and the relationship between you and Electrolux are governed by the law applicable where the Appliance was purchased. Where the Appliance was purchased in New Zealand for commercial purposes the Consumer Guarantee Act does not apply.
9. To the extent permitted by law and subject to your non-excludable statutory rights and warranties, Electrolux excludes all warranties and liabilities (other than as contained in this document) including liability for any loss or damage whether direct or indirect arising from your purchase, use or non use of the Appliance.
10. For Appliances and services provided by Electrolux in Australia, the Appliances come with a guarantee by Electrolux that cannot be excluded under the ACL. You are entitled to a replacement or refund for a major failure and for compensation for any other reasonably foreseeable loss or damage. You are also entitled to have the Appliance repaired or replaced if the Appliance fails to be of acceptable quality and the failure does not amount to a major failure. The benefits to you given by this warranty are in addition to your other rights and remedies under a law in relation to the Appliances or services to which the warranty relates.
11. At all times during the Warranty Period, Electrolux shall, at its discretion, determine whether repair, replacement or refund will apply if an Appliance has a valid warranty claim applicable to it.
12. For Appliances and services provided by Electrolux in New Zealand, the Appliances come with a guarantee by Electrolux pursuant to the provisions of the Consumer Guarantees Act, the Sale of Goods Act and the Fair Trading Act.
13. To enquire about claiming under this warranty, please follow these steps:
  - (a) carefully check the operating instructions, user manual and the terms of this warranty;
  - (b) have the model and serial number of the Appliance available;
  - (c) have the proof of purchase (e.g. an invoice) available;
  - (d) telephone the numbers shown below.
14. You accept that if you make a warranty claim, Electrolux and its ASC may exchange information in relation to you to enable Electrolux to meet its obligations under this warranty.

### Important Notice

Before calling for service, please ensure that the steps listed in clause 13 above have been followed.

<p><b>FOR SERVICE</b> or to find the address of your nearest state service centre in Australia <b>PLEASE CALL 13 13 49</b> For the cost of a local call (Australia only)</p>	<p><b>SERVICE AUSTRALIA</b> ELECTROLUX HOME PRODUCTS electrolux.com.au</p>	<p><b>FOR SPARE PARTS</b> or to find the address of your nearest state spare parts centre in Australia <b>PLEASE CALL 13 13 50</b> For the cost of a local call (Australia only)</p>
<p><b>FOR SERVICE</b> or to find the address of your nearest authorised service centre in New Zealand <b>FREE CALL 0800 10 66 10</b> (New Zealand only)</p>	<p><b>SERVICE NEW ZEALAND</b> ELECTROLUX (NZ) Limited electrolux.co.nz</p>	<p><b>FOR SPARE PARTS</b> or to find the address of your nearest state spare parts centre in New Zealand <b>FREE CALL 0800 10 66 20</b> (New Zealand only)</p>

**Electrolux Home Products Australia**

telephone: 1300 363 640  
fax: 1800 350 067  
email: [customercare@electrolux.com.au](mailto:customercare@electrolux.com.au)  
web: [electrolux.com.au](http://electrolux.com.au)

**shop.electrolux.com.au**



**Electrolux Home Products New Zealand**

telephone: 0800 436 245  
fax: 0800 225 088  
email: [customercare@electrolux.co.nz](mailto:customercare@electrolux.co.nz)  
web: [electrolux.co.nz](http://electrolux.co.nz)



To add a touch of professional inspiration to your home, visit [electrolux.com.au](http://electrolux.com.au) or [electrolux.co.nz](http://electrolux.co.nz)

**P/No. 305469303**

Issue: D

© 2015 Electrolux Home Products Pty Ltd.  
ABN 51 004 762 341

EMAN\_PROLINE\_RH\_Nov15