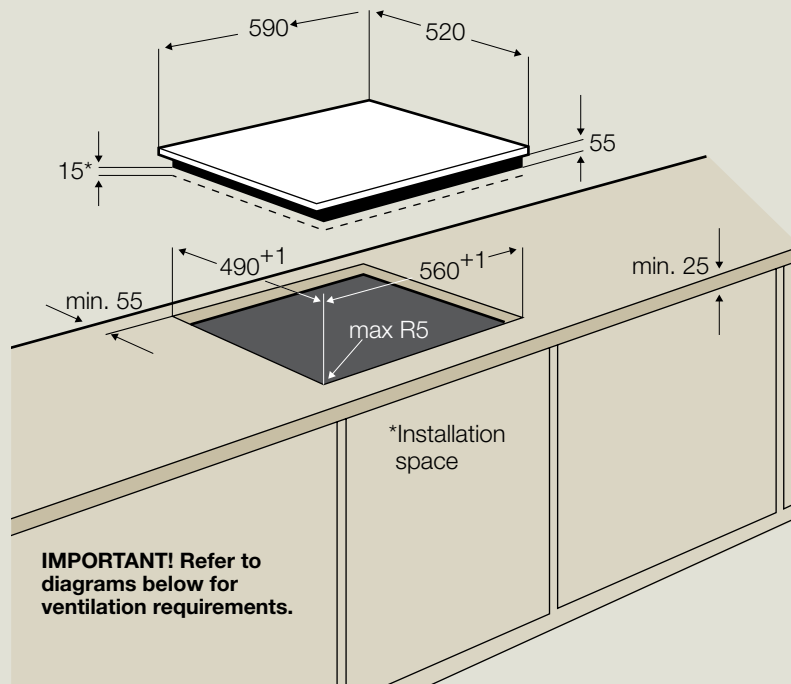


dimensions and installation guide

electrolux e:line induction cooktop

models **EHD60100P, EHD60150P**

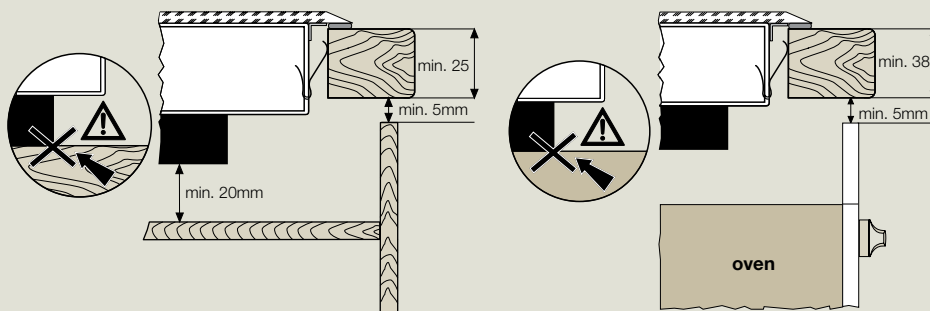
product and cut-out dimensions



ventilation and benchtop requirements

Important: The ventilation gap of 5mm under the bench top as pictured must be observed in order to prevent overheating of the induction cooktop, which can result in damage to the appliance.

WARNING! Surface temperature of base exceed 95°C, under bench access must be restricted by use of non-combustible barrier or installation.



IMPORTANT

This is a guide of product dimensions only. For complete installation instructions, refer to the manual provided with product.

All measurements in millimetres
Current as at November 2009
© 2009 Electrolux Home Products Pty Ltd. EIGEHD60100P 11/09

Thinking of you
Electrolux