

## IMPORTANT

This is a guide of product dimensions only. For complete installation instructions, refer to the manual provided with product.

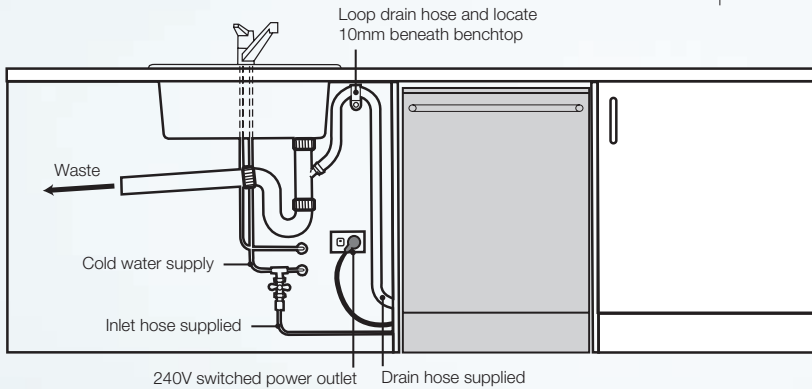
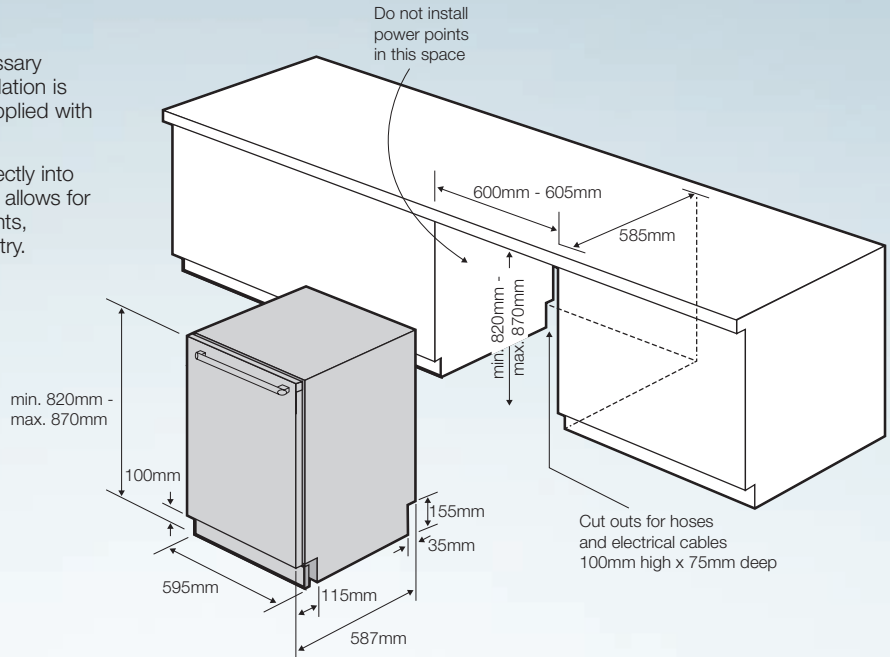
# installation guide

## electrolux E:Line dishwasher

**Model:** EX500ISC, EX600ISC

Electrolux dishwashers are equipped with all necessary hoses for ease of installation. The method of installation is detailed in the 'Installation instructions' booklet supplied with the appliance.

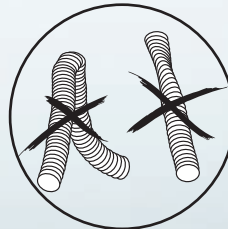
All Electrolux models have been designed to fit perfectly into any kitchen. Our models have extra adjustment that allows for installation under both standard and tall bench heights, to ensure they fit seamlessly into any kitchen cabinetry.



**Note:** Hole at bottom of spigot on sink drain must be drilled out completely. Position of spigot from base of dishwasher floor must be 300mm minimum. Maximum height of drain hose from floor must be 1000mm.

### Notes:

- If the floor is not level, the levelling legs should be adjusted to fit
- The dishwasher must be fixed to the cabinets with the screws provided
- The entire plastic membrane from the sink trap to be removed before fitting and securing the drain hose
- Cold water connection is recommended
- Water flow rate 10L/minute min.
- Water temperature 65° max.
- Water pressure cold, 50-800kPa
- Water pressure hot, 50-800kPa



### Notes:

- Ensure that hoses are not crushed or kinked under or behind the dishwasher.
- After connecting hose to the tap, turn the tap on and check to ensure that there are no leaks.

All measurements in millimetres.

Current as at Jul 2007.  
© 2006 Electrolux Home Products Pty Ltd. EDIMEX500/600ISC

*Thinking of you*  
**Electrolux**