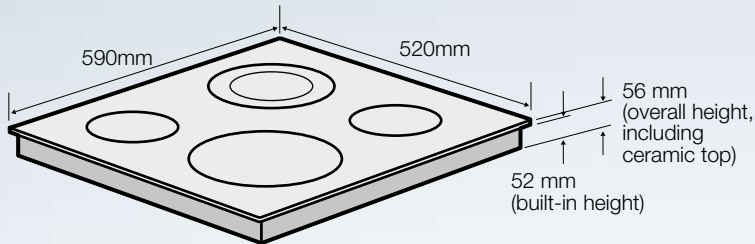


installation guide

electrolux E:Line ceramic + induction cooktop

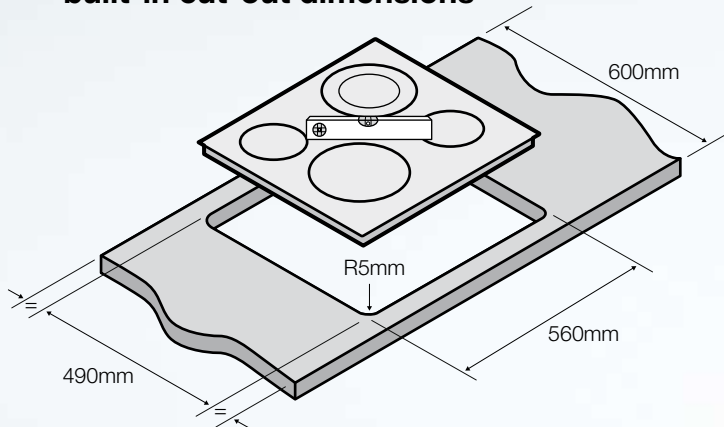
Model: EHD6676P

cooktop dimensions

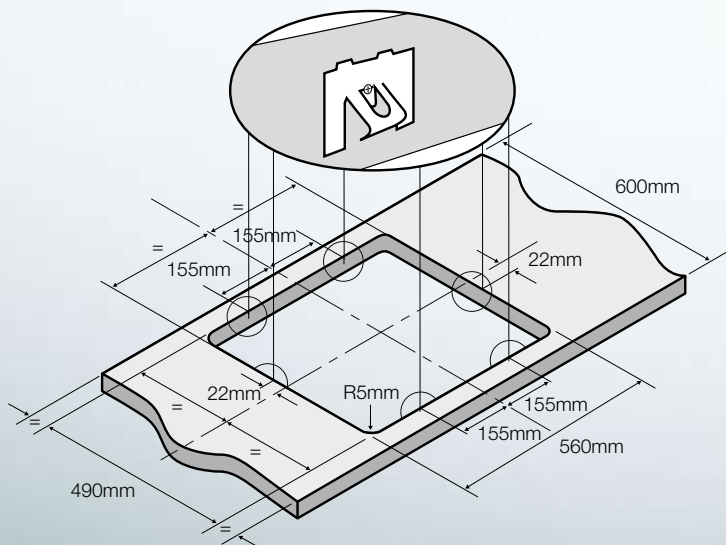


Note: Connection type - hardwired
Max. power rating 6.5kW

built-in cut-out dimensions



installation using clamp clips



IMPORTANT

This is a guide of product dimensions only. For complete installation instructions, refer to the manual provided with product.

All measurements in millimetres.

Current as at Jul 2007.
© 2007 Electrolux Home Products Pty Ltd. EDIMEHD6676P

ventilation and benchtop requirements

Important: A minimum 50mm space under the cooktop (fig. 1) is required to ensure sufficient cooling of the cooktop during use. To ensure the best performance of the induction cooktop, an additional 5mm opening (fig. 2) under the benchtop is recommended. If the 5mm gap is used, the minimum clearance requirement is 20mm.

Fig. 1

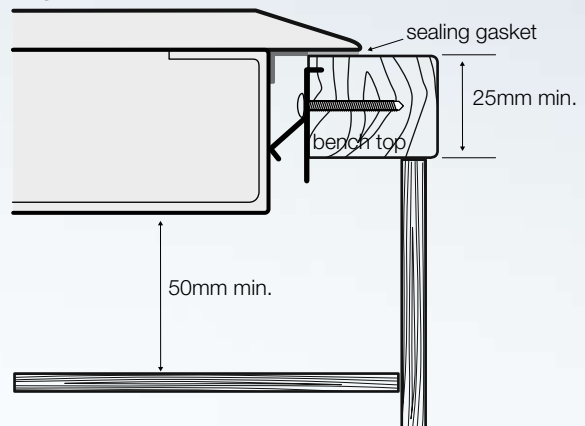


Fig. 2

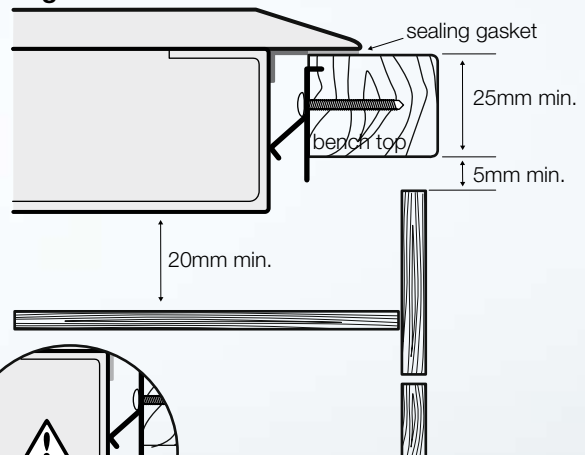


Fig. 3



Fig. 3: Under no circumstances should the cooktop base be installed directly onto a shelf.

Thinking of you

Electrolux