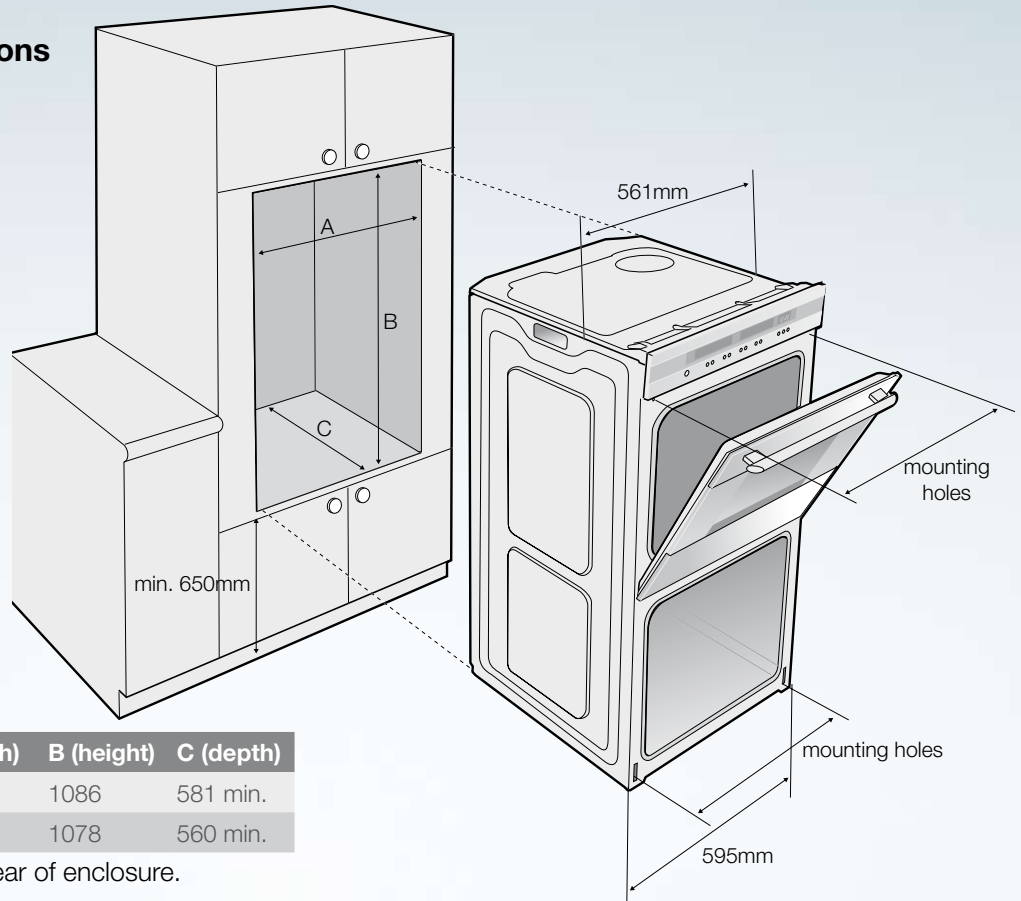


installation guide

electrolux E:Line double electric oven

Models: EDEE63AS

oven and cut-out dimensions



type of fit	A (width)	B (height)	C (depth)
Flush fit (mm)	600	1086	581 min.
Proud fit (mm)	565	1078	560 min.

C = from face of cabinet/door to rear of enclosure.

cabinet construction

Figure 1 – flush fit (top view)

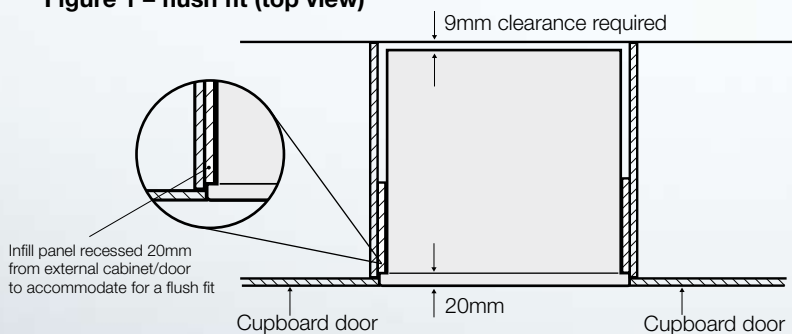
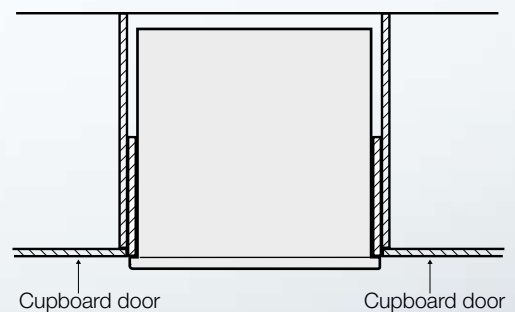


Figure 2 – proud fit (top view)



For the best integration within a kitchen, install this appliance in a standard 600mm wide cupboard that gives a flush fit with the surrounding cupboard fronts (Figure 1). A 20mm recess is ideal. It can also be installed using a proud fit with the surrounding cupboard (Figure 2).

Note: Your appliance must be mounted on a flat surface for the full width and depth of the product.

IMPORTANT

This is a guide of product dimensions only. For complete installation instructions, refer to the manual provided with product.

All measurements in millimetres.

Current as at Jul 2007.

© 2007 Electrolux Home Products Pty Ltd. EIGELINEDBLO

Thinking of you

Electrolux